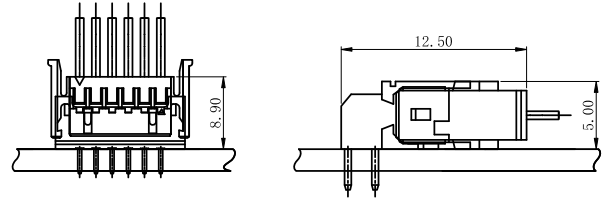


SPECIFICATIONS:

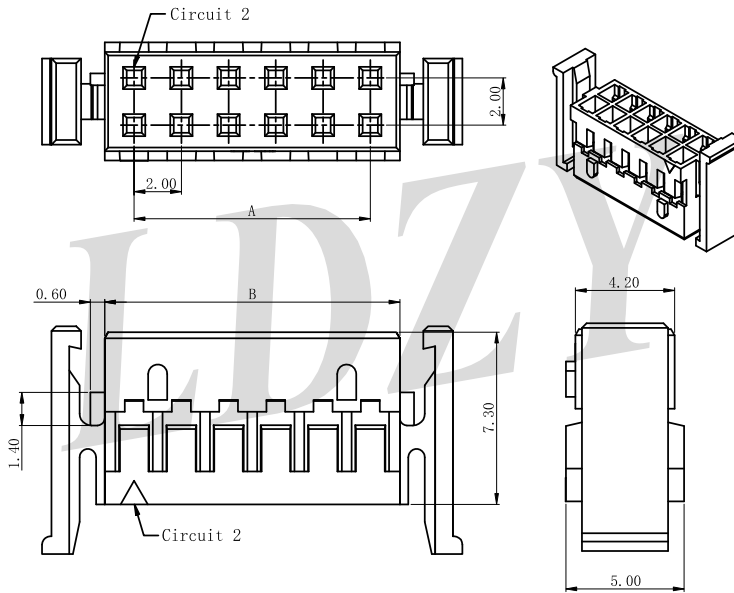
Voltage Rating: 250V AC/DC
 Current Rating: 3A AC/DC
 Withstanding Voltage: 800V AC/Minute
 Temperature Range: -25°C~+85°C
 Insulation Resistance: 1000MΩ Min.
 Contact Resistance: 10mΩ Max.
 Applicable Wire Range: AWG#22~28.

Assembly Layout:



A2004HA-2NP-N0WT

2.00mm Pitch Dual Row Housing



Reference Informations:

- *Material:
Housing: PA66 UL94V-0/Natural or Black
- *Suitable LDZY A2004 series Terminal
- *Mates with LDZY A2004 series Wafer

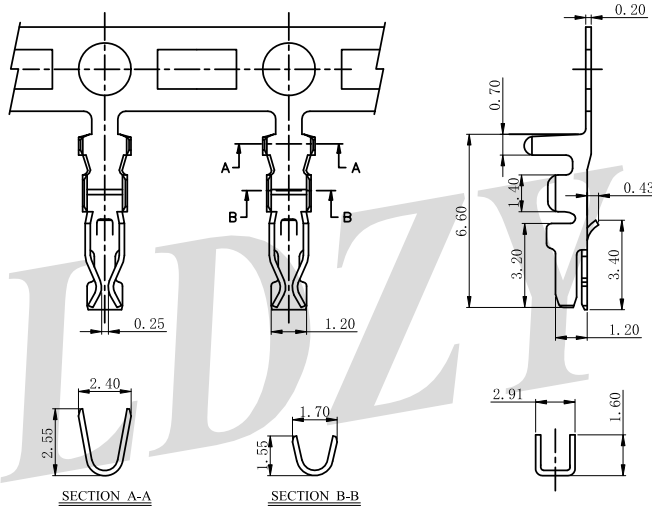
Ordering Information & Dimensions

Poles	Dimensions (mm)	
	A	B
2*2	2.00	4.50
2*3	4.00	6.50
2*4	6.00	8.50
2*5	8.00	10.50
2*6	10.00	12.50
2*7	12.00	14.50
2*8	14.00	16.50
2*9	16.00	18.50
2*10	18.00	20.50
2*11	20.00	22.50
2*12	22.00	24.50
2*13	24.00	26.50
2*14	26.00	28.50
2*15	28.00	30.50
2*16	30.00	32.50
2*17	32.00	34.50
2*18	34.00	36.50
2*19	36.00	38.50
2*20	38.00	40.50

A2004HA Series 2.00mm Pitch Series Wire to Board Connectors

A2004TF-PT1

2.00mm Pitch Terminal



Reference Informations:

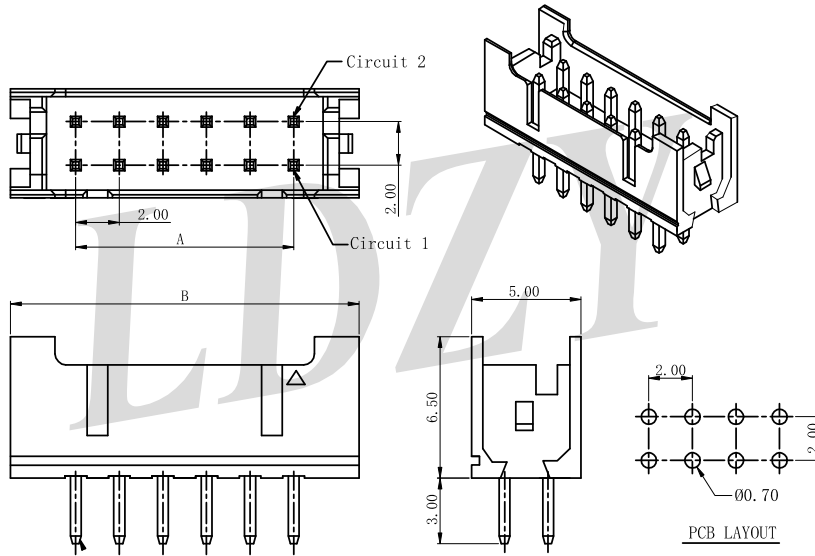
*Material: Phosphor Bronze/Tin-plated

*Mates with LDZY A2004 series Housing

Ordering Information & Specifications

Part No	Wire Range	Insulation O.D.	Material	Finish
A2004TF-PT1	AWG#22-#28	1.50mm(max)	Phosphor Bronze	Tin-plated

A2004WVA-2NP-N0NAT 2.0mm Crimp Style connectors



Reference Informations:

*Material:

PIN: Brass/Tin-plated

Wafer: PA66, UL94V-0 / Natrual

*Suitable LDZY A2004 series Housing

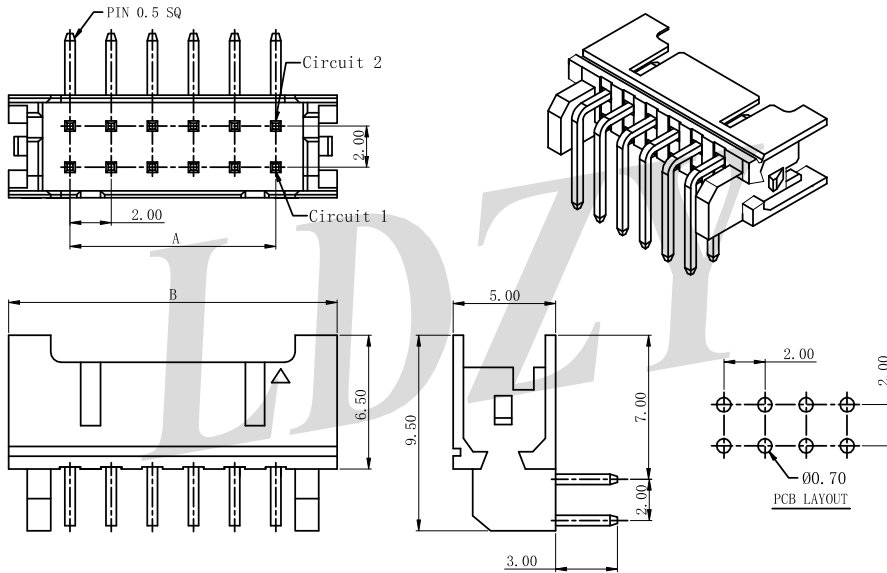
Ordering Information & Dimensions

Poles	Dimensions (mm)	
	A	B
2*2	2.00	8.00
2*3	4.00	10.00
2*4	6.00	12.00
2*5	8.00	14.00
2*6	10.00	16.00
2*7	12.00	18.00
2*8	14.00	20.00
2*9	16.00	22.00
2*10	18.00	24.00
2*11	20.00	26.00
2*12	22.00	28.00
2*13	24.00	30.00
2*14	26.00	32.00
2*15	28.00	34.00
2*16	30.00	36.00
2*17	32.00	38.00
2*18	34.00	40.00
2*19	36.00	42.00
2*20	38.00	44.00

A2004HA Series 2.00mm Pitch Series Wire to Board Connectors

A2004WRA-2NP-N0NAT

2.00mm Pitch 90° Dual Row Wafer



Reference Informations:

***Material:**

PIN: Brass/Tin-plated

Wafer: PA9T, UL94V-0 / Natrual

*Suitable LDZY A2004 series Housing

Ordering Information & Dimensions

Poles	Dimensions (mm)	
	A	B
2*2	2.00	8.00
2*3	4.00	10.00
2*4	6.00	12.00
2*5	8.00	14.00
2*6	10.00	16.00
2*7	12.00	18.00
2*8	14.00	20.00
2*9	16.00	22.00
2*10	18.00	24.00
2*11	20.00	26.00
2*12	22.00	28.00
2*13	24.00	30.00
2*14	26.00	32.00
2*15	28.00	34.00
2*16	30.00	36.00
2*17	32.00	38.00
2*18	34.00	40.00
2*19	36.00	42.00
2*20	38.00	44.00