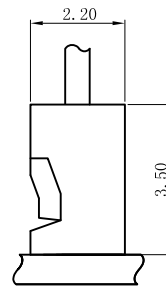


SPECIFICATIONS:

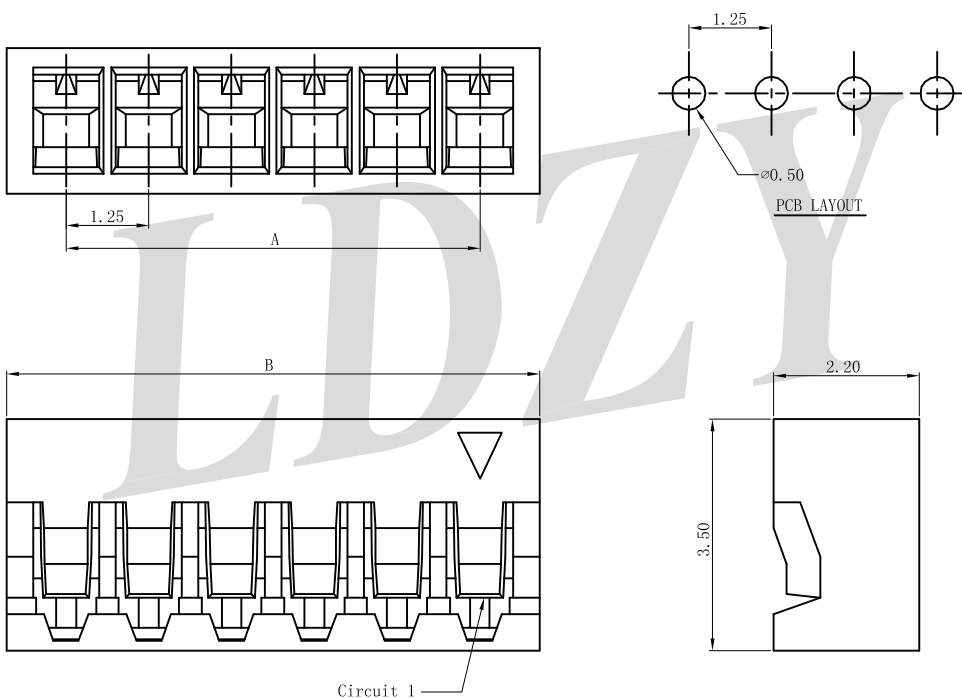
- Voltage Rating: 125V AC/DC
- Current Rating: 1A AC/DC
- Withstanding Voltage: 500V AC/Minute
- Temperature Range: -25°C~+85°C
- Insulation Resistance: 100MΩ Min.
- Contact Resistance: 20mΩ Max.
- Applicable Wire Range: AWG#28~32.

Assembly Layout:



B1259HV-NP-N0NA

1.25mm Pitch Single Row Housing



Reference Informations:

*Material:

Housing: PA66 UL94V-0/Natural

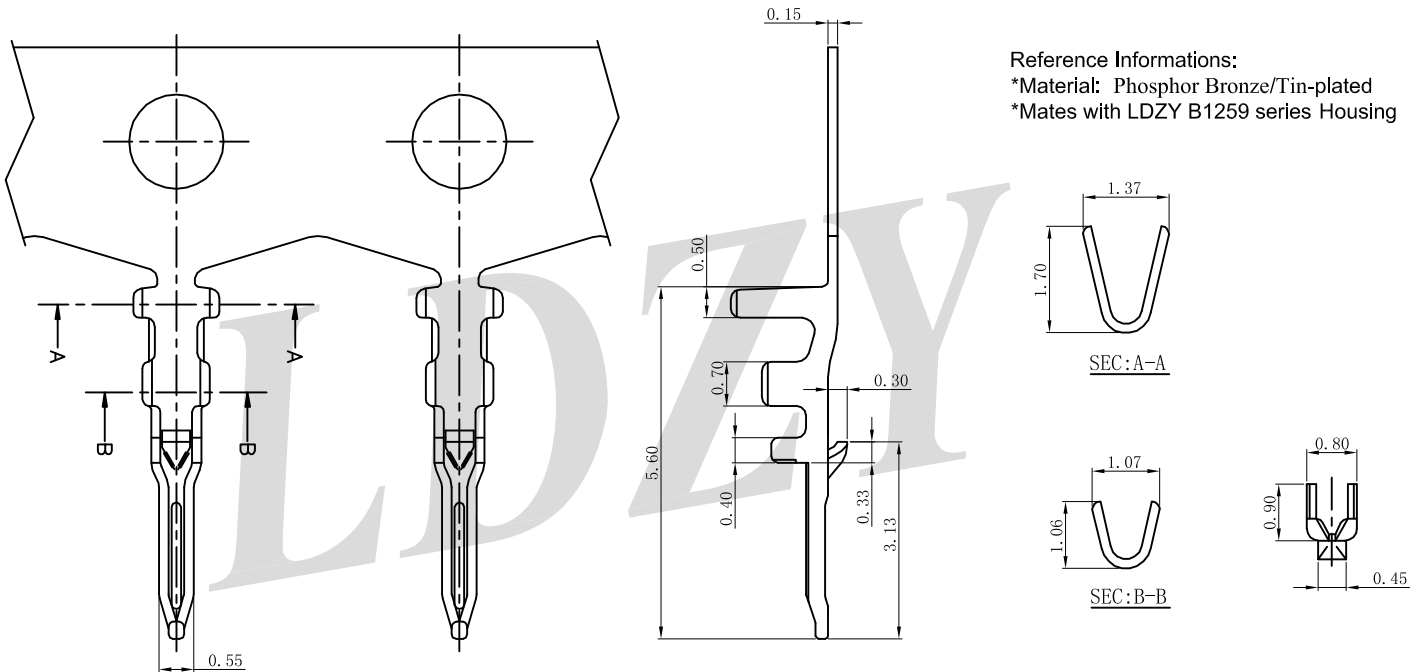
*Suitable LDZY B1259 series Terminal

Ordering Information & Dimensions

Poles	Dimensions (mm)	
	A	B
02	1.25	3.05
03	2.50	4.30
04	3.75	5.55
05	5.00	6.80
06	6.25	8.05
07	7.50	9.30
08	8.75	10.55
09	10.00	11.80
10	11.25	13.05
11	12.50	14.30
12	13.75	15.55
13	15.00	16.80
14	16.25	18.05
15	17.50	19.30

B1259TV-PT1

1.25mm Pitch Terminal



Reference Informations:

- *Material: Phosphor Bronze/Tin-plated
- *Mates with LDZY B1259 series Housing

Ordering Information & Specifications

Part No	Wire Range	Insulation O.D.	Material	Finish	Qty/reel
B1259TM-PT1	AWG#28-#32	1.00mm(max)	Phosphor Bronze	Tin-plated	15,000pcs