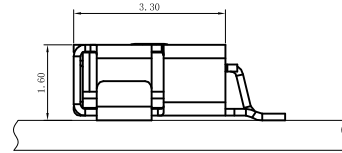
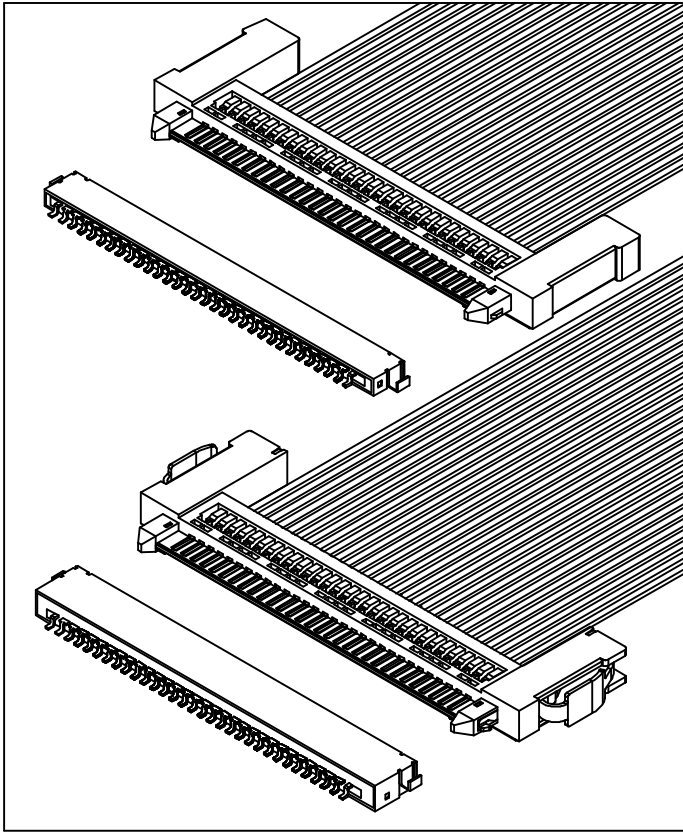


**SPECIFICATIONS:**

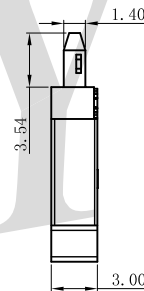
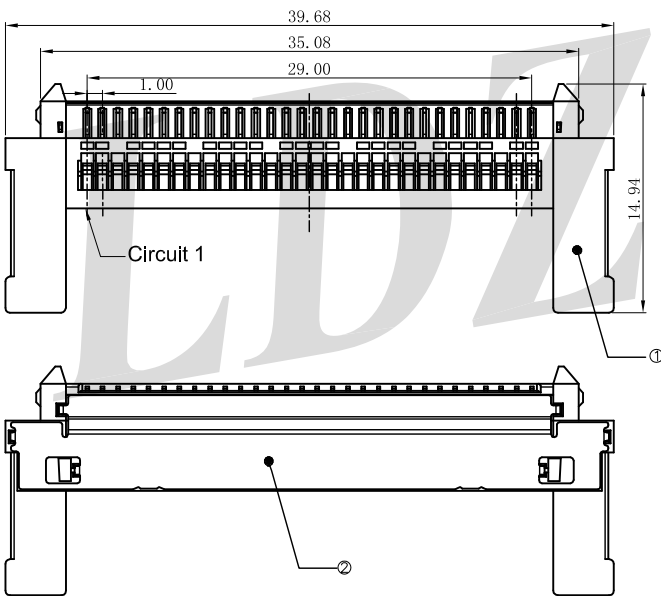
Voltage Rating: 200V AC/DC  
 Current Rating: 1A AC/DC  
 Withstanding Voltage: 500V AC/Minute  
 Temperature Range: -25°C~+85°C  
 Insulation Resistance: 100MΩ Min.  
 Contact Resistance: 40mΩ Max.  
 Applicable Wire Range: AWG#28~32.

**Assembly Layout:**



**A1012 H-30-46BK**

1.00mm Pitch Housing



**Reference Informations:**

\*Material:

Ground Plate:Stainless

Housing: Nylon 46,UL94V-0/Natrual

\*Suitable LDZY A1006 series Terminal

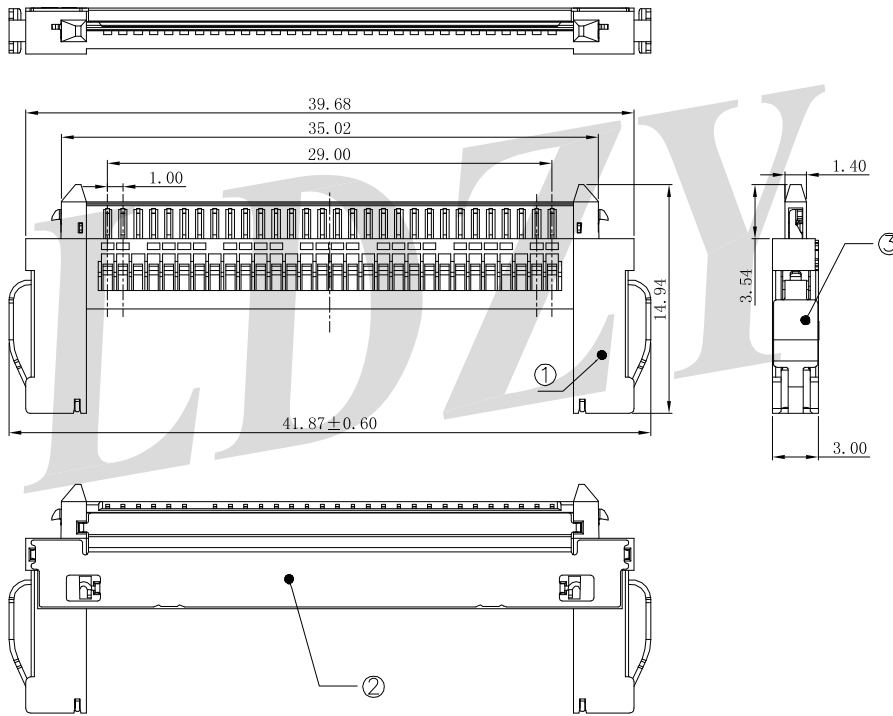
\*Mates with LDZY A1006 series Wafer

**Ordering Information & Dimensions**

NO.	Description	Material	Color
1	Insulator	Nylon 46,UL94V-0	Natural(Black)
2	Ground Plate	Stainless	—

## A1012 HA-30-46BK

1.00mm Pitch Housing



**Reference Informations:**

\*Material:

Ground Plate:Stainless

Housing: Nylon 46,UL94V-0/Natural

\*Suitable LDZY A1006 series Terminal

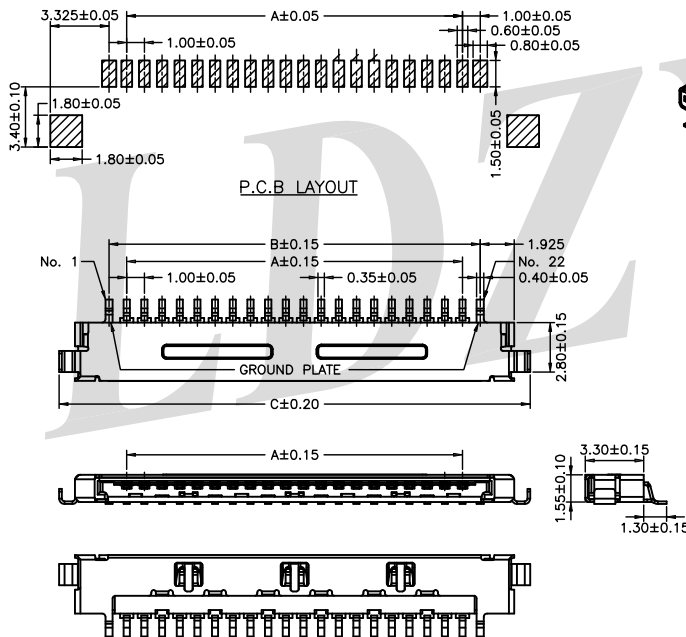
\*Mates with LDZY A1006 series Wafer

**Ordering Information & Dimensions**

NO.	Description	Material	Color
1	Insulator	Nylon 46,UL94V-0	Natural (Black)
2	Ground Plate	Stainless	—
3	Lock lever	Stainless	—

## A1006WRS-NP-L0NAG

1.0mm Pitch 90° SMT Single Row Wafer



**Reference Informations:**

\*Material:

PIN: Phosphor Bronze/Gold-flash

Shell: Phosphor Bronze/Tin-plated

Wafer: LCP,UL94V-0

Color: Natural

\*Mates with LDZY A1006 series Housing

**Ordering Information & Dimensions**

PART NO.	Dimensions		
	A	B	C
A1006WRS-20P-L0NAG	19.00	21.00	26.65
A1006WRS-30P-L0NAG	29.00	31.00	36.65